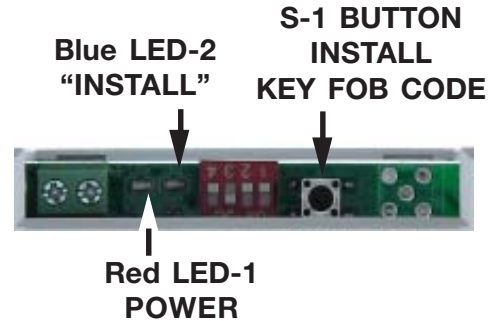


38249-MI

Additional/Replacement 4 Channel Remote Control Key FOB for 36825-RL Programming



Installing the Key FOB: Matching the Key FOB (Clicker) to the Receiver

NOTE: Units are "Pre-Matched" at the factory.

Only Use if Adding or Replacing Key FOB

Short Press Install (S-1) Button on the Receiver. The "Install" LED will light,
Within ~15 seconds; Press any button on the Key FOB. The LED will go off indicating the Key FOB ID code has been logged in. If no button is pressed, LED will flash and Receiver will Exit Install with No Changes.

Clearing the Receiver of ALL codes:

Press and Hold the Install (S-1) Button on the Receiver; the "Install" LED indicator lights.
After about 8 seconds, the "Install" LED will go out, release the Program Button.
This will remove all Key FOB codes.

Receiver can supports up to 30 different Key FOBs.

Above 30, the Receiver will start overwriting codes from #1 forward.

Installing multiple Receivers: to 1 Key FOB

Only 1 Receiver at a time:

Power 1st. Receiver.

Short Press Install (S-1) Button on the Receiver. The "Install" LED will light,
Press any button on the Key FOB. The LED will go off indicating the Key FOB ID code has been logged in.

Turn Off power to 1st Receiver:

Power 2nd. Receiver

Short Press Install (S-1) Button on the Receiver. The "Install" LED will light,
Press any button on the Key FOB. The LED will go off indicating the Key FOB ID code has been logged in.

To Test: Turn On power to 1st Receiver: Both receivers will respond to Key FOB

Information including Drawings, Schematics, Links and Code (Software) Supplied or Referenced in this Document is supplied by MPJA inc. as a service to our customers and accuracy or usefulness is not guaranteed nor is it an Endorsement of any particular part, supplier or manufacturer. Use of information and suitability for any application is at users own discretion and user assumes all risk.

Information Subject to Change Without Notice
All rights are retained by the respective Owners/Author(s)



MARLIN P. JONES & ASSOC., INC.

P.O. Box 530400 Lake Park, FL 33403
800-652-6733 FAX 561-844-8764
WWW.MPJA.COM